



MANHOLE COVER C(B125) "LEAF DECORATED" H75



General information

Recommended location: car parks, sidewalks and city park roads. Purpose: engineering networks.

1. General information and specifications:

Standard; EN 124-2 ; GOST 3634-2019

Body size; 800x740 mm

The opening diameter of the passage; 605 mm

Body height; 74 mm

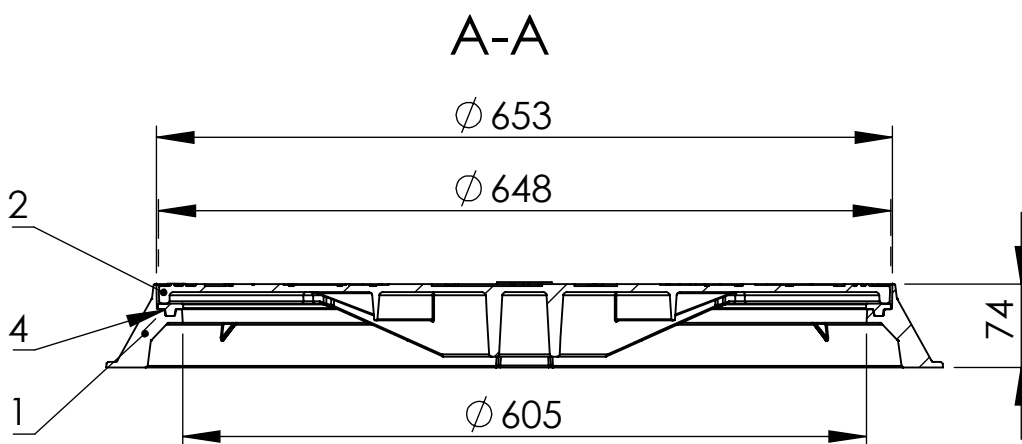
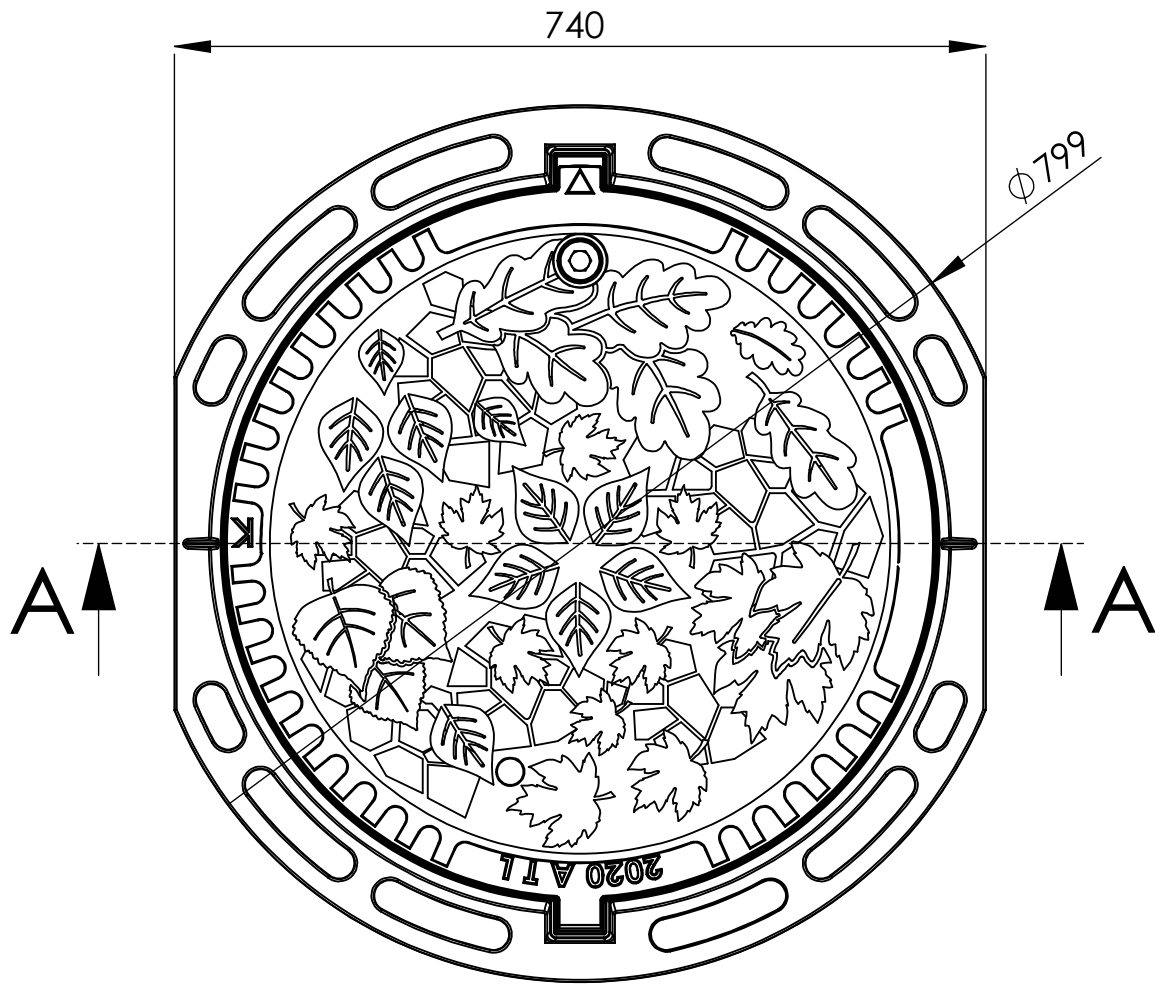
Regulatory load; 125 kN

Weight; 37 kq

Material: high-strength spherical graphite cast iron GGG50

2. Advantages:

- The cover is attached to the body with a hinge;
- Bituminous anti-corrosion coating;





3. Supply set

DETAIL	QUANTITY
Body	1
Cover	1
Locking system	1
T-rubber	1
Passport	1

*It is allowed to prepare 1 passport for a group of manhole covers of not more than 10 pieces.

4. Warranty obligations:

The warranty period is 3 years from the date of commissioning, but not more than 5 years from the date of shipment from the enterprise.

Assigned service life- 20 years

Storage conditions of manhole covers—group Ж 1, GOST15150

The limiting criterion is the presence of damage (cracks, debris, etc.)

5. Usage information:

5. Usage information:

At the end of its service life, the product is not dangerous for life, human health and the environment. The use of a manhole cover can be done in any way, without restrictions.

* Note: Assignment of engineering networks:

- Domestic and industrial sewerage;
- Plumbing;
- Fire hydrant;
- Rainwater sewerage;
- Heating line;
- Gas line;
- City cable network;
- City telephone network;