



## RAINWATER GRILL D400 MERIA



### General information

It is used for the evacuation of the water collected at the roads used by pedestrians, light and heavy vehicles, at military airports, warehouses, etc. through sewers.

### 1. General information and specifications:

Cover and Frame material: It is made of spherical graphite material in accordance with EN 1563 standard.

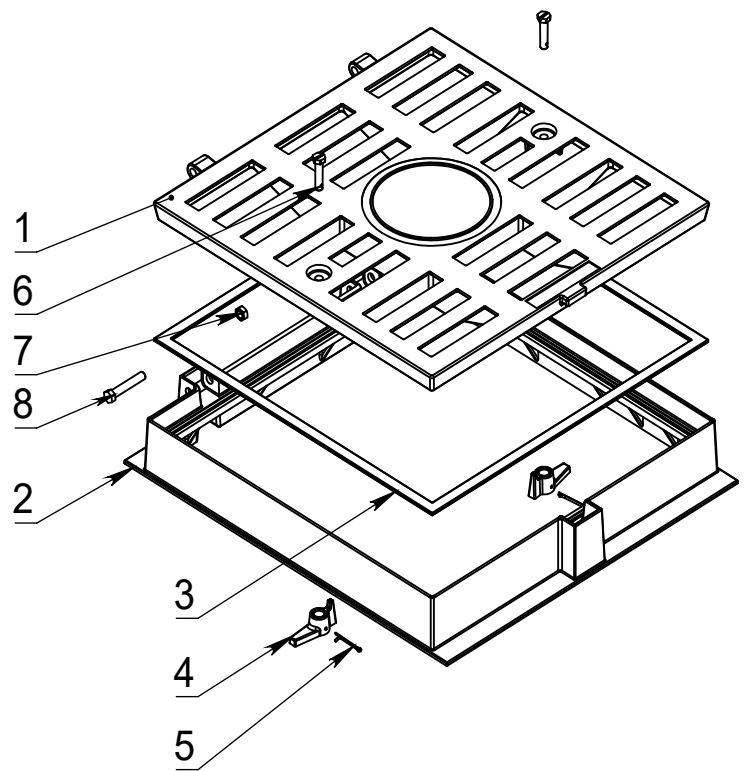
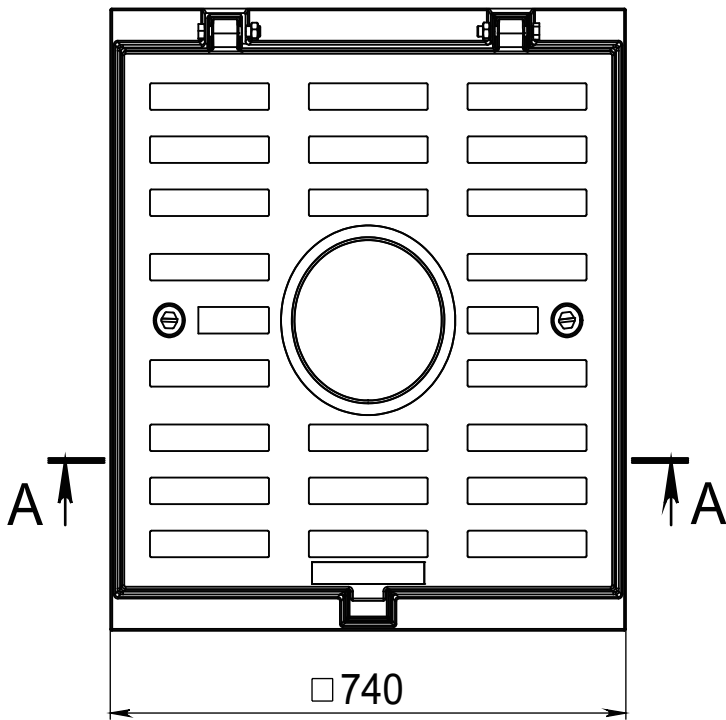
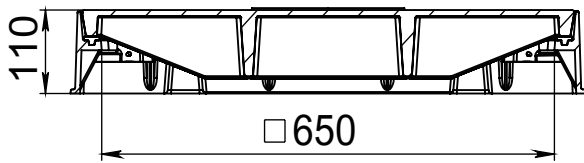
Connection parts: made of stainless or galvanized bolts or nuts.

Design: in accordance with EN 124-1/2/3/4/5/6, GOST 3634-2019 standards.

The rubber material between the bodies is EPDM rubber in accordance with EN 681-1.



### A-A





## 2. Supply set

DETAIL	QUANTITY
Cover	1
Frame	1
Sealing rubber	1
Locking system	2
Split pin	2
Pin	2
Nut	2
Bolt	2
Passport	1

\*It is allowed to prepare 1 passport for a group of product of not more than 10 pieces.

### 3. Warranty obligations:

The warranty period is 2 years from the date of commissioning, but not more than 5 years from the date of shipment from the enterprise.

Assigned service life- 20 years

Storage conditions of rainwater grilles–group Ж 1 GOST 15150

The limiting criterion is the presence of damage (cracks, debris, etc.)

### 4. Usage information:

At the end of its service life, the product is not dangerous for life, human health and the environment. The use of a rainwater grill can be done in any way, without restrictions.

\*Note: Assignment of engineering networks:

- Domestic and industrial sewerage;
- Plumbing;
- Fire hydrant;
- Rainwater sewerage;
- Heating line;
- Gas line;
- City cable network;
- City telephone network