



RAINWATER GRILL C250



General information

It is used for the evacuation of the water collected at the roads used by pedestrians, light and heavy vehicles, at military airports, warehouses, etc. through sewers.

1. General information and specifications:

Cover and Frame material: It is made of spherical graphite material in accordance with EN 1563 standard.

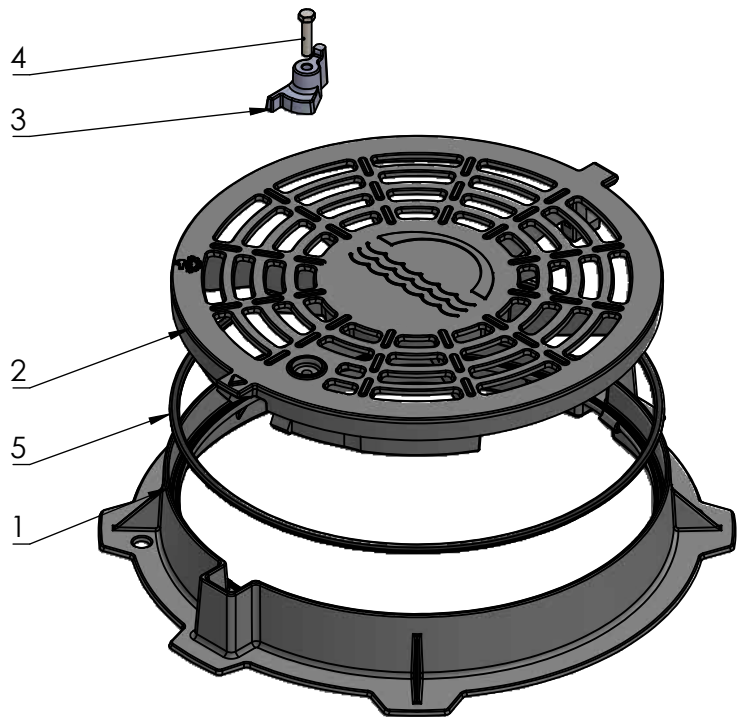
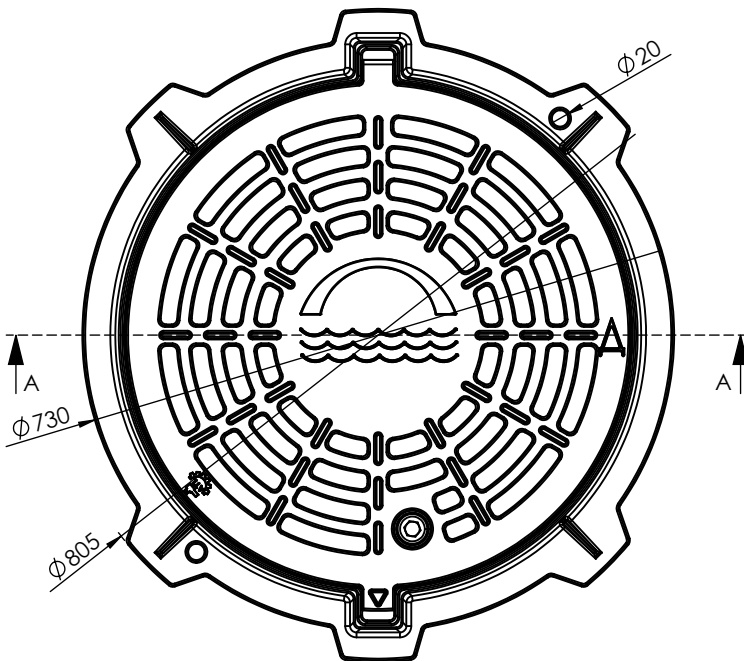
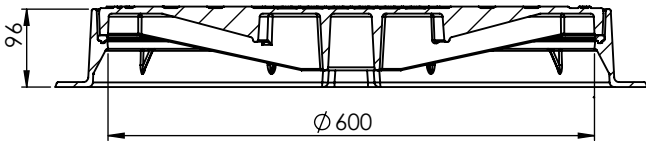
Connection parts: made of stainless or galvanized bolts or nuts.

Design: in accordance with EN 124-1/2/3/4/5/6, GOST 3634-2019 standards.

The rubber material between the bodies is EPDM rubber in accordance with EN 681-1.



A-A





2. Supply set

DETAIL	QUANTITY
Frame	1
Cover	1
Locking system	1
Bolt	1
Sealing rubber	1
Passport	1

*It is allowed to prepare 1 passport for a group of product of not more than 10 pieces.

3. Warranty obligations:

The warranty period is 2 years from the date of commissioning, but not more than 5 years from the date of shipment from the enterprise.

Assigned service life- 20 years

Storage conditions of rainwater grilles–group Ж 1 GOST 15150

The limiting criterion is the presence of damage (cracks, debris, etc.)

4. Usage information:

At the end of its service life, the product is not dangerous for life, human health and the environment. The use of a rainwater grill can be done in any way, without restrictions.

*Note: Assignment of engineering networks:

- Domestic and industrial sewerage;
- Plumbing;
- Fire hydrant;
- Rainwater sewerage;
- Heating line;
- Gas line;
- City cable network;
- City telephone network