



## WASTE BOX 30 L

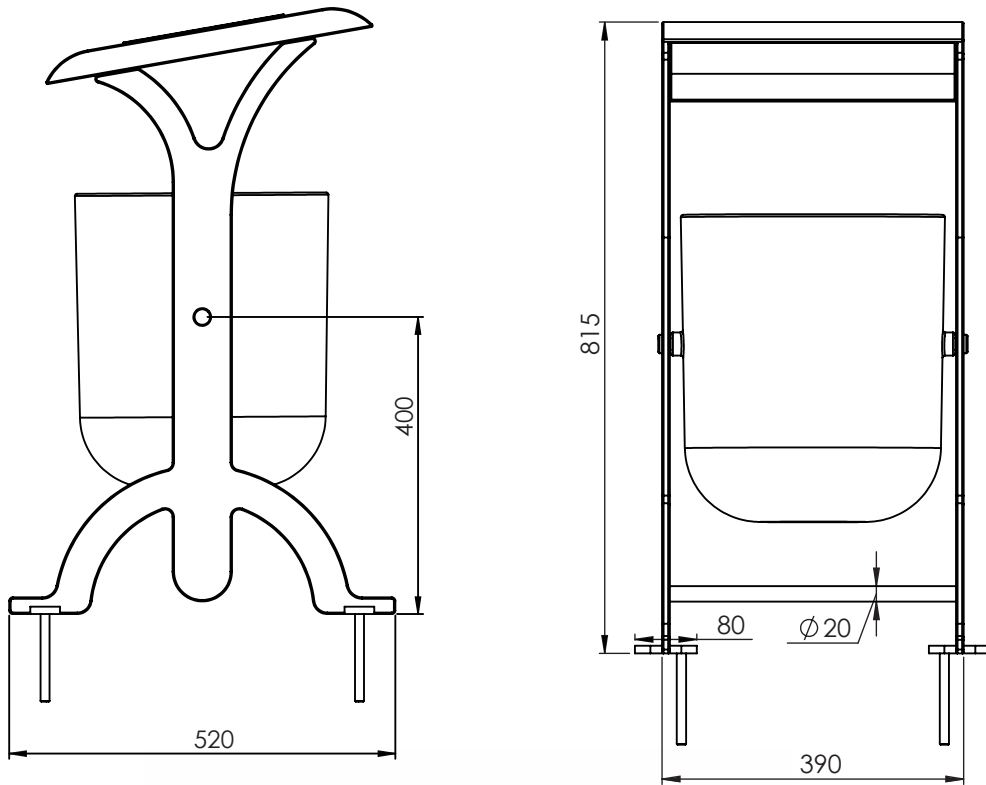


### General information

Waste box is used for waste disposal purposes in parks, parking lots, airports, stations, etc.

### 1. General information and specifications:

The lid and bucket are made of gray cast iron in accordance with EN 1561. The supports are made of vermicullary material in accordance with EN 16079 standard. The parts are welded to each other in accordance with GOST 5264-80. The volume of the waste box is 30 liters.



**2. Supply set**

DETIAL	QUANTITY
Lid	1
Bucket	1
Supports	1
Bolt	2
Tube	1
Passport	1

\*It is allowed to prepare 1 passport for a group of product of not more than 10 pieces.

**3. Warranty obligations:**

The warranty period is 2 years from the date of commissioning, but not more than 5 years from the date of shipment from the enterprise.

Assigned service life- 20 years

Storage conditions of rainwater grilles–group Ж 1 GOST 15150

The limiting criterion is the presence of damage (cracks, debris, etc.)

**4. Usage information:**

At the end of its service life, the product is not dangerous for life, human health and the environment. The use of a waste box can be done in any way, without restrictions.