



MANHOLE COVER D400(K)



General information

Recommended location: highways. Purpose: engineering networks

1. General information and specifications:

Standard; EN 124-2 ; GOST 3634-2019

Body size; 822x740 mm

Opening diameter of the passage; 603 mm

Body height; 200 mm

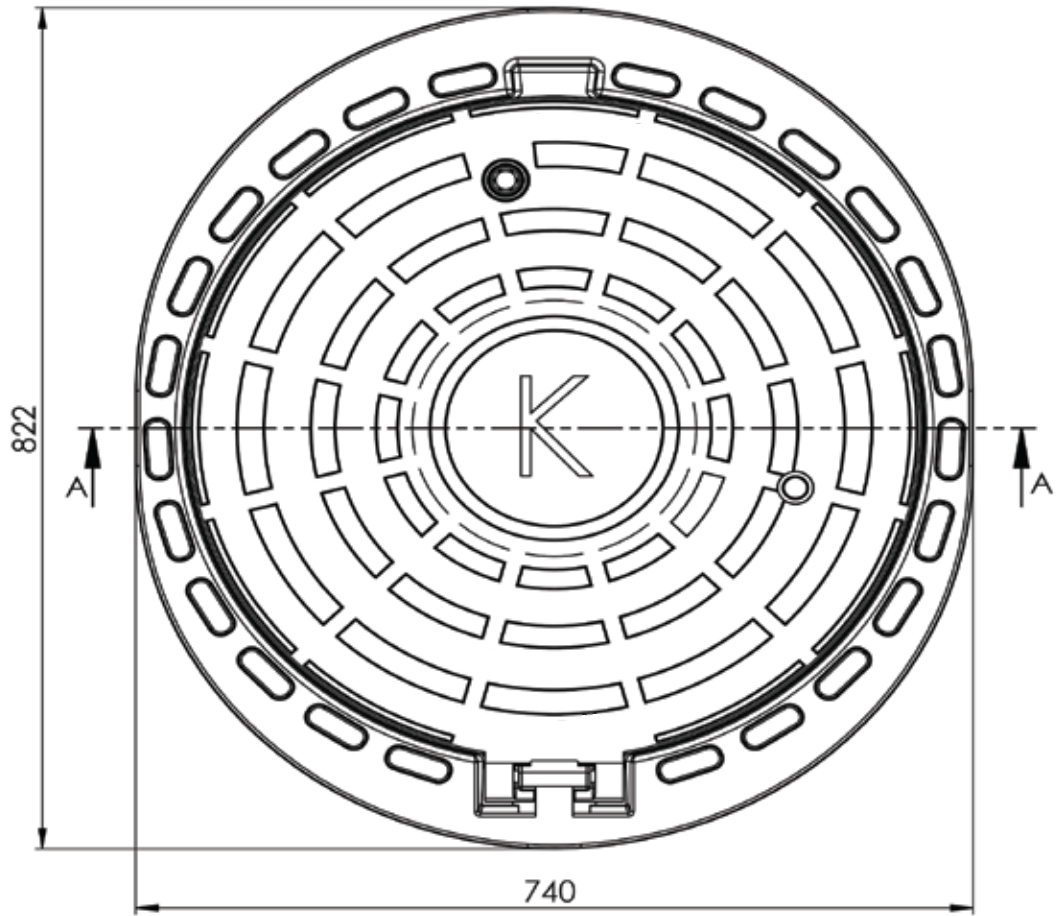
Regulatory load; 400 kN

Weight; 79.5 kg

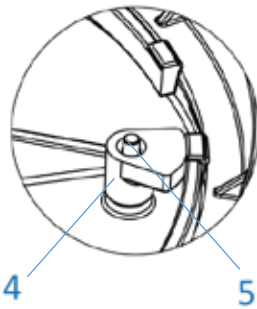
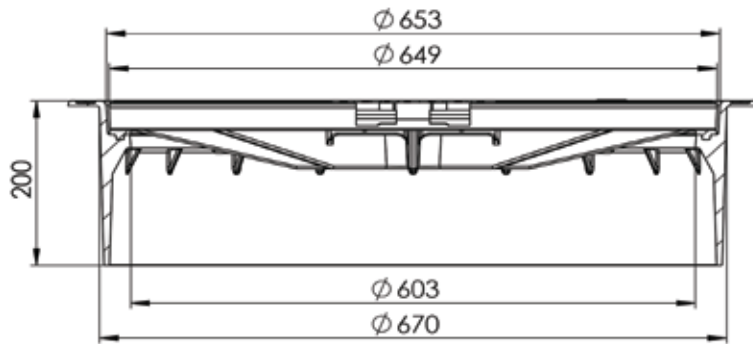
Material: high-strength spherical graphite cast iron GGG50

2. Advantages:

- the cover is attached to the body with a hinge;
- availability of auto-locking system;
- bituminous anti-corrosion paint coating;



A-A





3. Supply set

DETAIL	QUANTITY
Body	1
Cover	1
Locking system	1
Bolt	1
T-rubber	1
Passport	1

*It is allowed to prepare 1 passport for a group of manhole covers of not more than 10 pieces.

4. Warranty obligations:

The warranty period is 3 years from the date of commissioning, but not more than 5 years from the date of shipment from the enterprise.

Assigned service life- 20 years

Storage conditions of manhole covers–group, GOST 15150

The limiting criterion is the presence of damage (cracks, debris, etc.)

5. Usage information:

At the end of its service life, the product is not dangerous for life, human health and the environment. The use of a manhole cover can be done in any way, without restrictions.

*Note: Assignment of engineering networks:

- Domestic and industrial sewerage;
- Plumbing;
- Fire hydrant;
- Rainwater sewerage;
- Heating line;
- Gas line;
- City cable network;
- City telephone network;