



RAINWATER INLET FOR TRUNK ROADS C250(D)



General information

Rainwater inlet «C250(D)» is installed on trunk roads with heavy traffic.

1. General data and specifications:

Standart; EN 124-2 ; ГОСТ 3634-2019

Size of body; 805 mm

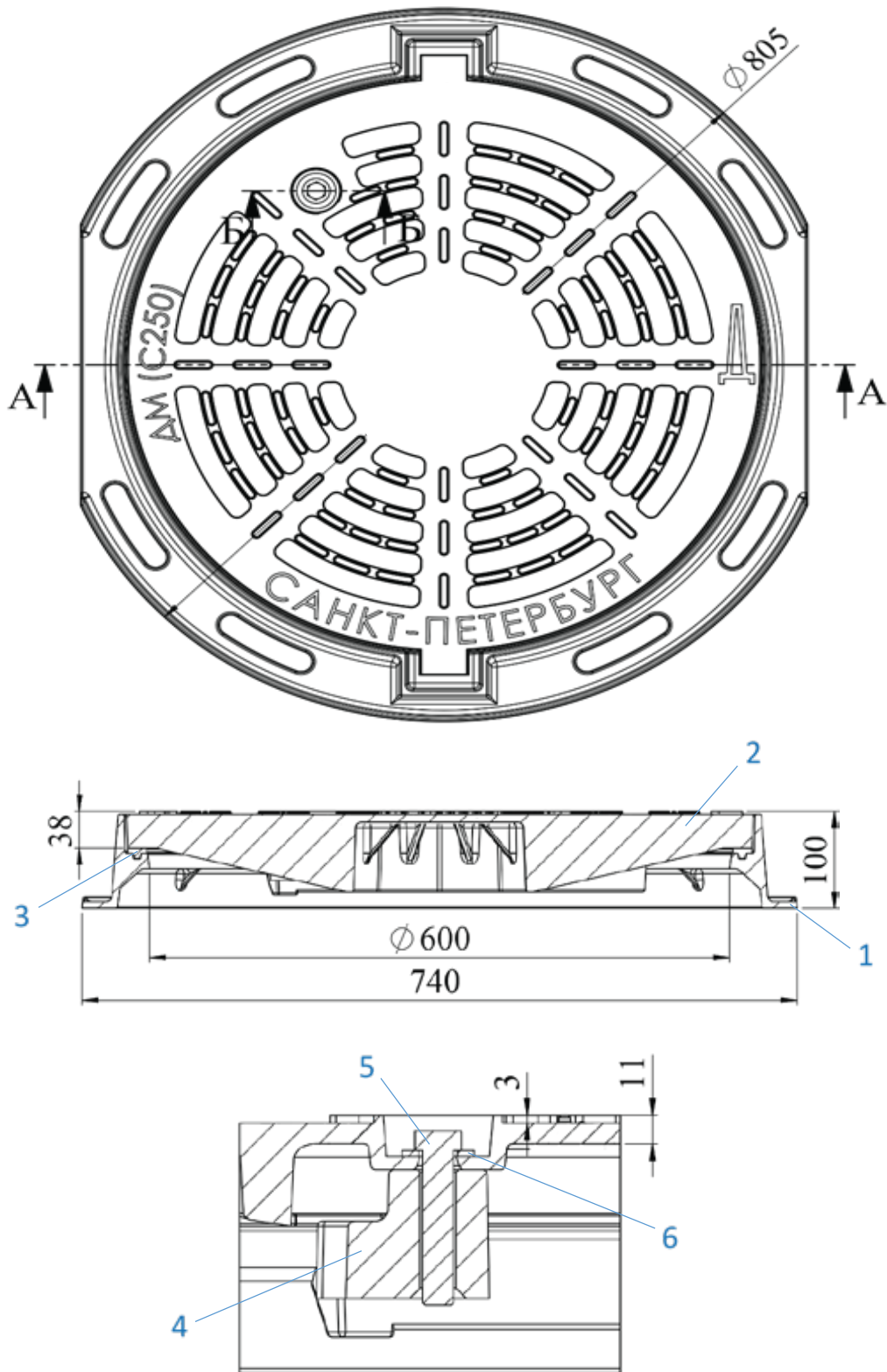
Diameter of opening; 600 mm

Height of body; 100 mm

Regulatory load; 250 kN

Mass of rainwater inlet; 57.6 kg

Material; high strength nodular cast iron GGG50.





2. Set of supply

MATERIAL	NUMBER
Body	1
Cover	1
Gasket	1
Lock	1
Screw	1
Passport	1

*It is allowed to complete one passport for a batch of rainwater inlets no more than 10 pieces.

3. Warranty obligations:

The warranty period of exploitation is 3 years from the entry day of exploitation, but no more than 5 years from the moment of product shipping from enterprise.

Assigned service life - 20 years

Assigned storage life – 2 years

Storage conditions of manholes – group Ж 1 ГОСТ 15150

Criterion of limiting state is the presence of damage (fractures, splinters etc.)

4. Utilization info:

Upon expiration of service (exploitation) product is not dangerous to life, health of people and the environment.

Utilization of manhole can be carried out by any method, without restrictions.

*) Note: designation of engineering networks:

- Household and industrial sewage;
- Plumbing;
- Fire hydrant;
- Rainwater sewage;
- Heat line;
- Gas line;