



CIRCULAR MANHOLE COVER E600(K) H130



General information

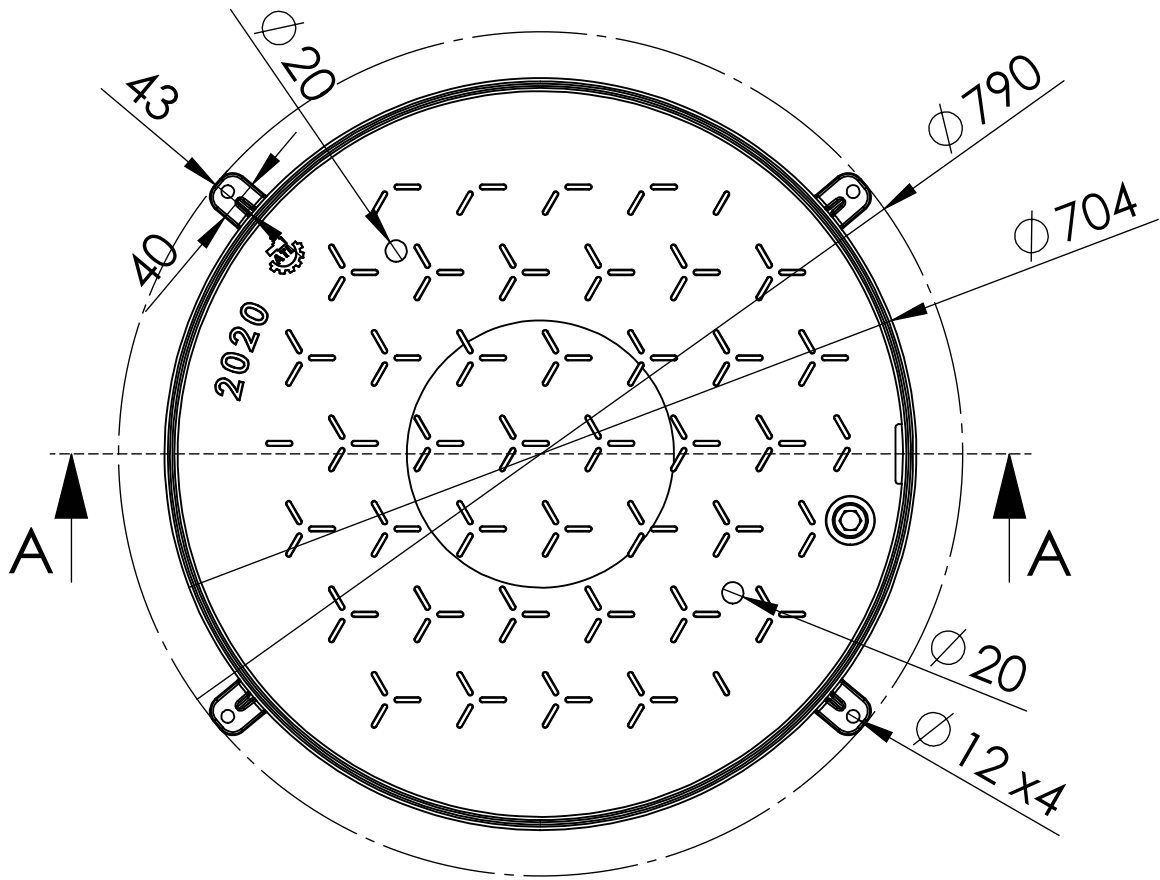
Recommended location: Heavy tonnage roads (aerodrome, port) Purpose: Engineering Networks

1. General information and specifications:

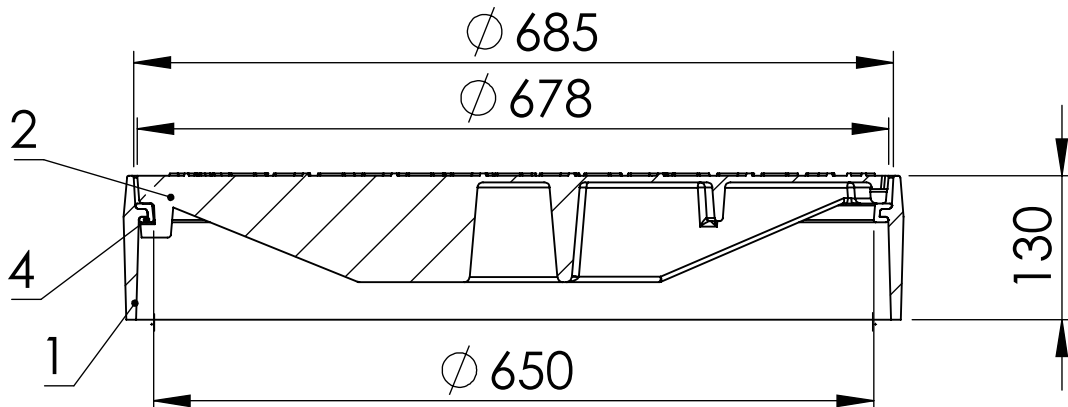
Standard; EN 124-2 ; ГOCT 3634-2019
Body size; 790 mm
Opening diameter of the passage; 650 mm
Body height; 130 mm
Regulatory load; 600 kN
Weight; 69,4 kq
Material: high-resistance spherical graphite cast iron GGG50

2. Advantages:

- availability of auto-locking system;
- ledges of the frame can be attached to the concrete with anchor boots;
- bituminous anti-corrosion coating;



A-A





3. Supply Set

DETAIL	QUANTITY
Body	1
Cover	1
Locking system	1
Bolt	1
T-rubber	1
Passport	1

*It is allowed to prepare 1 passport for a group of manhole covers of not more than 10 pieces.

4. Warranty obligations:

The warranty period is 3 years from the date of commissioning, but not more than 5 years from the date of shipment from the enterprise.

Assigned service life- 20 years

Storage conditions of manhole covers—group Ж 1 GOST 15150

The limiting criterion is the presence of damage (cracks, debris, etc.)

5. Usage information:

At the end of its service life, the product is not dangerous for life, human health and the environment. The use of a manhole cover can be done in any way, without restrictions.

* Note: Assignment of engineering networks:

- Domestic and industrial sewerage;
- Plumbing;
- Fire hydrant;
- Rainwater sewerage;
- Heating line;
- Gas line;
- City cable network;
- City telephone network;