



METER BOX



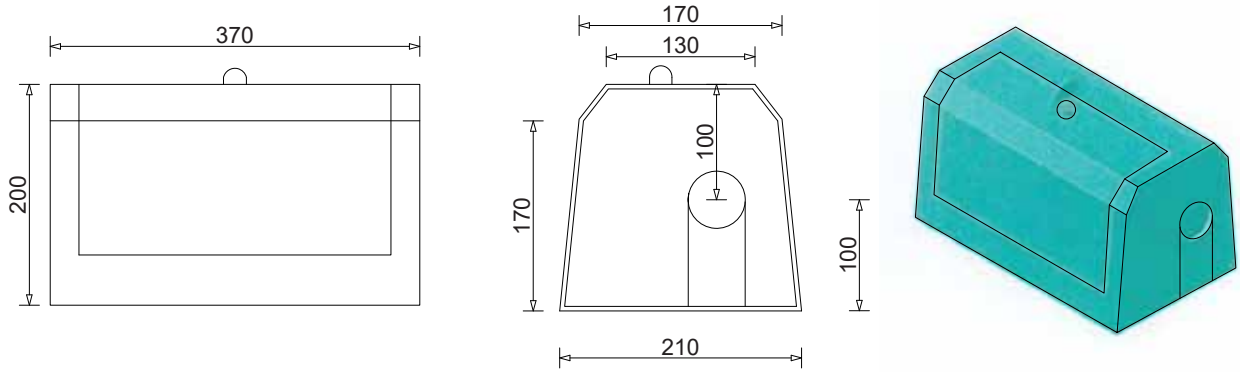
Meter boxes are made from high quality ABS (Acrylonitrile-butadiene -styrene) thermoplastic polymer and are used in internal water networks as means of isolating water meters from the outer environment.

1. The Use and Technical Specifications of the Product:

- 1.1 In case of detection of defects in the meter, the box is designed in such a way that it can be easily and conveniently removed.
- 1.2 Each meter box must have a lock. There must be only one type of key that unlocks. If it stops after a half turn, the key should not continue to rotate.
- 1.3 The side walls of the meter box shall be specifically relief-shaped to prevent atmospheric precipitation from penetration into the protection enclosure of the meter box.
- 1.4 The inner walls of the boxes shall be designed thermally-insulated and the insulation thickness shall comprise 10-15 mm.
- 1.5 The wall thickness of the meter box should be 4.0 ± 0.5 mm.
- 1.6 The rubber sealants on the left and right sides of the box (where the pipe inputs and outputs) must be double-walled to enable to fit tightly to the wall of the box. Rubbers should be composed of relatively hard material.
- 1.7 The shock absorber opening the cover of the meter box must in no way come into contact with the meter or pipes inside the box.
- 1.8 The backside of the meter box cover (as a wall mount) must have 4 pieces wall-mounted stabilizing parts (dowel + screw).

**2. Key technical details and specifications:**

2.1 Exterior view and dimensions of fittings



No	COMPONENT	MATERIAL	PCS
1	Door hinge	Acrylonitrile Butadiene Styrene (ABS)	2
2	Door lock	Acrylonitrile Butadiene Styrene (ABS)	1
3	Gasket	PVC	4
4	Double snipe	Plastic	4
5	Screw	Sink coated screw	4
6	Insulation surface	Climaflex	(thickness) 0,43 M ²