

**DISMANTLING JOINT DN 50 - DN 700 EN 545 EN 1092-2 EN 10002-2**

Dismantling joint is a length-adjustable product used to compensate for small changes in the length and inclination angle (inconsistency) of the pipe and shut-off and control valves during pipeline installation and disassembly, as well as to connect the twopipelines during repair and reconstruction of engineering networks.

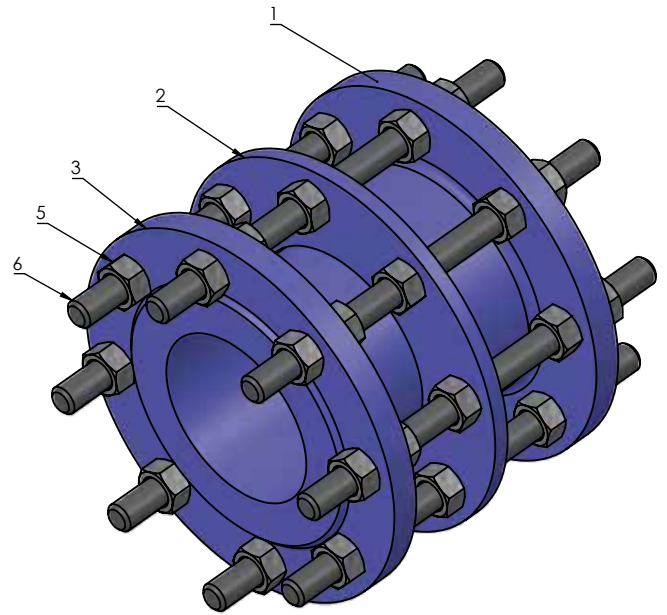
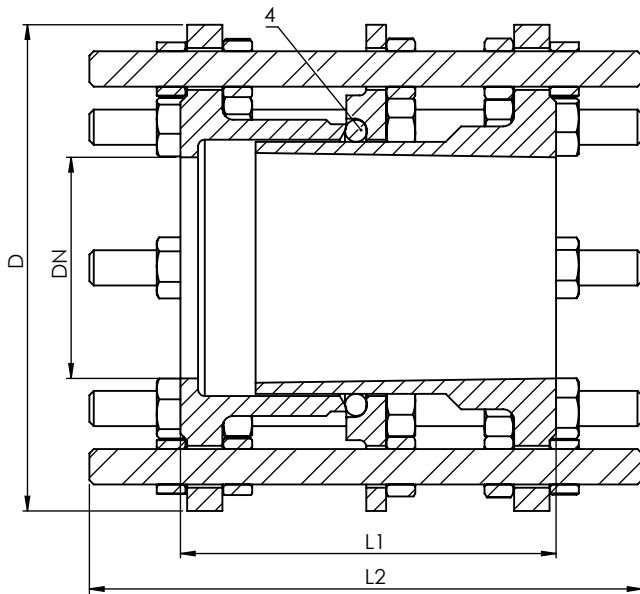
1.Purpose and technical characteristics of the product:

- 1.1 Facilitates planning during project development.
- 1.2 It greatly simplifies the installation of pipelines due to the possibility of adjusting the line size.
- 1.3 Simplifies installation and disassembly work of equipment for regular maintenance or complete replacement.
- 1.4 Reduces overloading of the bolts that happens while connecting the flanges.

Nominal diameter	From 50 mm to 700 mm
Standard operating pressure	10/16/25 kgf / sm ²
Operating temperature	From 0 ° C to +70 ° C
Work environment	Drinking water, overheated steam, air, weak solutions of salts andalkalis.
Connection and adjustment	2 identical flanges on both sides GOST 12820-80. Double-sided adjustment
Body, gasket	GGG40, EPDM 51-1481
Note	High degree of protection against corrosion: All parts are coated with a two-component RAL 5005 epoxy paint that has a layer thickness of at least 250 microns.

2. Basic technical information and features:

2.1 External views and dimensions of connections



No	DETAIL	MATERIAL
1	Internal flange	Cast iron GGG 40
2	Middle flange	Cast iron GGG 40
3	Outer flange	Cast iron GGG 40
4	Sealing rubber	Rubber EPDM
5	Nut	Galvanized steel
6	Pin	Galvanized steel



DN mm	PN atm	D mm	L1	L2
40	10 - 16	150	150	250
50	10 - 16	165	150	250
65	10 - 16	185	150	250
80	10 - 16	200	150	250
100	10 - 16	220	150	250
125	10 - 16	250	150	260
150	10 - 16	285	160	260
200	10	340	170	280
200	16	340	170	280
200	25	360	200	330
250	10	400	210	350
250	16	400	220	360
300	10	455	210	350
300	16	455	235	390
350	10	505	230	360
350	16	520	245	400
400	10	565	230	370
400	16	580	270	430
450	10	615	240	390
450	16	640	240	430
500	10	670	250	390
500	16	715	260	440
600	10	780	250	420
600	16	840	290	470
700	10	895	250	420
700	16	910	280	470

3. Production program:

3.1 Dismantling joints are installed on pipes that are on the direct entrances and on one side of the fittings (for example, a butterfly valve).

3.2 Installation of the disassembly section should be carried out after adjusting the pipelines.

3.3 The use of a disassembly entrance as a support structure is not permitted.

* Inlet and outlet pipes (flanges) must be centered before installation.

3.4 Prior to installation, the Disassembly part is bent to reduce the construction length and is inserted into the gap between the shut-off valves and the return pipe.

3.5 The flanges of the inner and outer inlet pipes are tightened.

3.6 The intermediate inlet flange is solid.

4. Warranty:

The equipment is certified. AZERTEXNOLAYN LLC offers consumers a warranty for two years from the date of commissioning by enforcing the rules of transport, storage, installation and operation (excluding climatic conditions, installation and user defects). The total service life of the dismantling is 10 years, excluding moving parts.

In case of violation of installation rules, claims on the quality of the dismantling is not accepted.