



IRRIGATION HYDRANT



Irrigation hydrants are used to irrigate agricultural products mainly in agricultural areas.

1. Purpose and technical characteristics:

The irrigation hydrant is fully compliant with requirements of EN 14267 and has two pistons inside to regulate the water pressure when the water pressure increases.

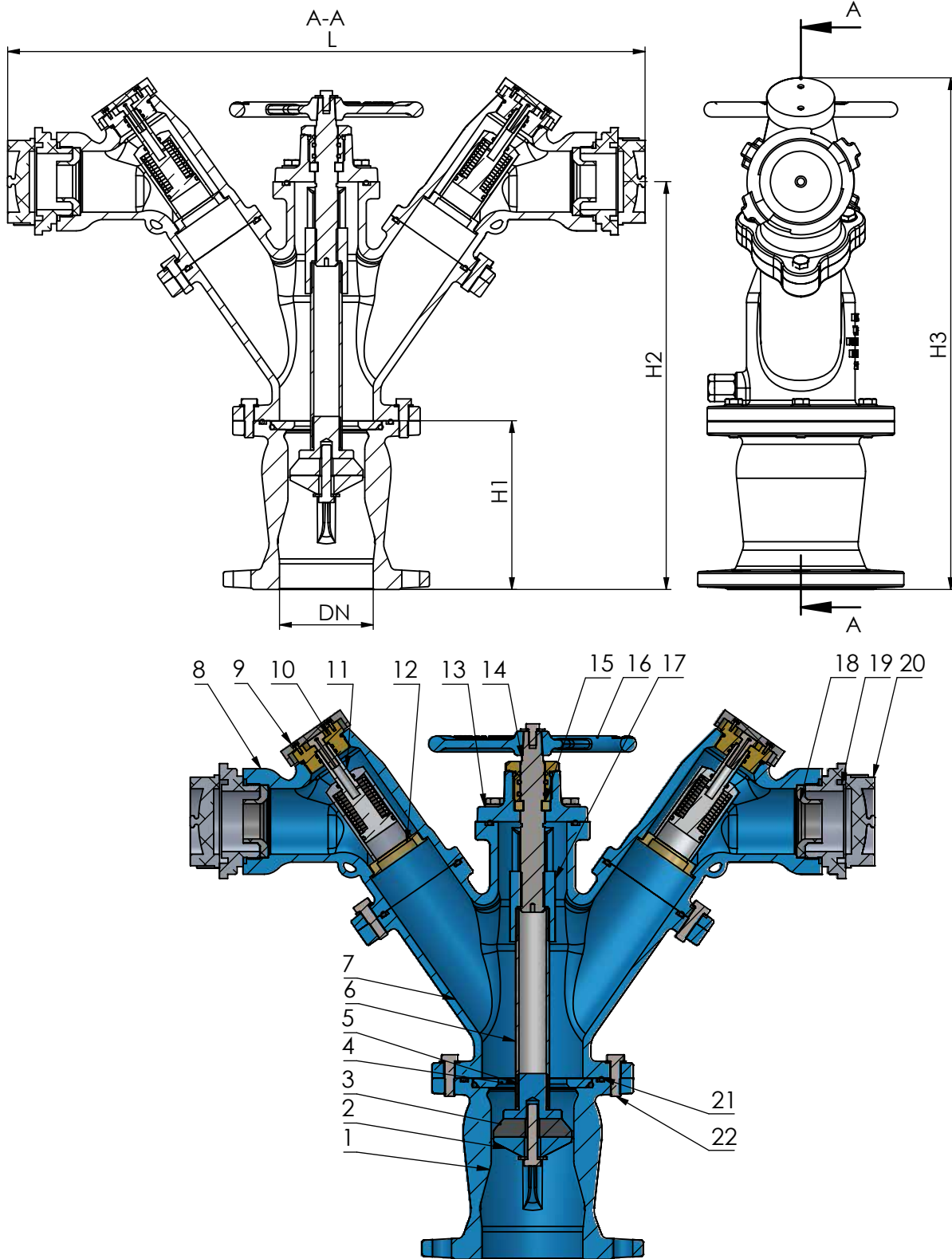
2. Structure and principles:

Irrigation hydrant is manufactured in accordance with EN 14267 and is intended for water systems. Its pressure classes are PN 10 and 16 bar. The principle of operation is that the disc mounted on the shaft moves up and down by rotational movement of the shaft, and as a result, the flow of water is regulated.



3. Technical details and properties:

3.1 External views and dimensions of connections





No	DETAIL	MATERIAL	QUANTITY
1	Lower Body	GJS-400-15	1
2	Disc	GJS-400-15	1
3	Disc Seal	EPDM	1
4	Disc Sealing	GJS-400-15	1
5	Disc Cover	GJS-400-15	1
6	Pipe	Stainless steel	1
7	Upper Body	GJS-400-15	1
8	Nozzle Body	GJS-400-15	1
9	Nut Cover	Polyamide	1
10	Nut	Brass	1
11	Pressure Regulator	Stainless steel	1
12	Regulator seat	Brass	1
13	Cover	GJS-400-15	1
14	Stem	Stainless steel	1
15	Squeezing puck	Brass	1
16	Fly-wheel	GJS-400-15	1
17	Moving Clutch	GJS-400-15	1
18	Tip	Polyamide	1
19	Hose Outlet	Aluminium	1
20	House Outlet Cover	Aluminium	1
21	O-ring	EPDM	1
22	Bolt	8.8 galvanized	1

DN mm	PN atm	H1 mm	H2 mm	H3 mm	L mm
100	10 - 16	180	435	546	680

**4. Description of construction:**

The metal body of the hydrant is made of GGG 400-15 round graphite cast iron in accordance with EN 1563 standard. The stem and connection parts (bolts and nuts) used inside are selected in accordance with EN 10088. It is coated with a thermoplastic epoxy paint in accordance with EN 10289. Coating thickness is 250 micron. The connection flange fulfills the requirements of EN 1092-2 and is fully compliant with international standards.

5. Safety instructions:

Irrigation hydrant must be installed by workers who have enough experience. If there is a pressure inside, maintenance works are not allowed.

6. Maintenance requirements:

A hydrant that has damaged, broken parts must not be repaired by the field workers. In this case, manufacturer must be notified. Damaged parts must be replaced with new ones.

7. Installation instructions:

The irrigation hydrant should be mounted perpendicular to the ground on flanges previously installed on the pipeline using a flash. In this case, care must be taken to ensure that the intermediate sealing layer is placed correctly and that the flange surface of the pipe is clean during installation.

8. Storage information:

The irrigation hydrant must be kept in a packaged form and the valve must be kept open. Sealing surfaces must be cleaned before use. Furthermore, the movement of the valve should be checked by moving the stem.

9. Transportation:

Irrigation hydrants can be transported by any type of vehicle that has a freight permit. Transportation of unpackaged products is prohibited.

10. Warranty:

The product is certified. The AZERTEXNOLAYN LLC guarantees consumers for 1 year from the date of commissioning (excluding climate conditions, installation and user defects) in compliance with the rules of transport, storage, installation and operation. The total service life of the irrigation hydrant is 10 years, excluding moving parts. In case of violation of installation rules, claims on the quality of the irrigation hydrant are not accepted.